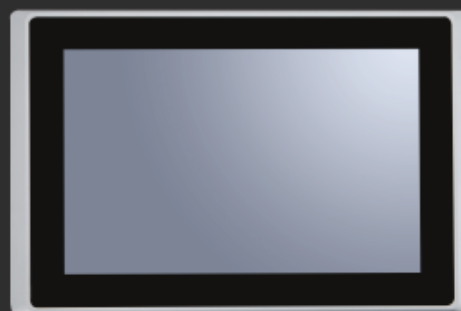


HP11X-AC/AR101



FEATURES

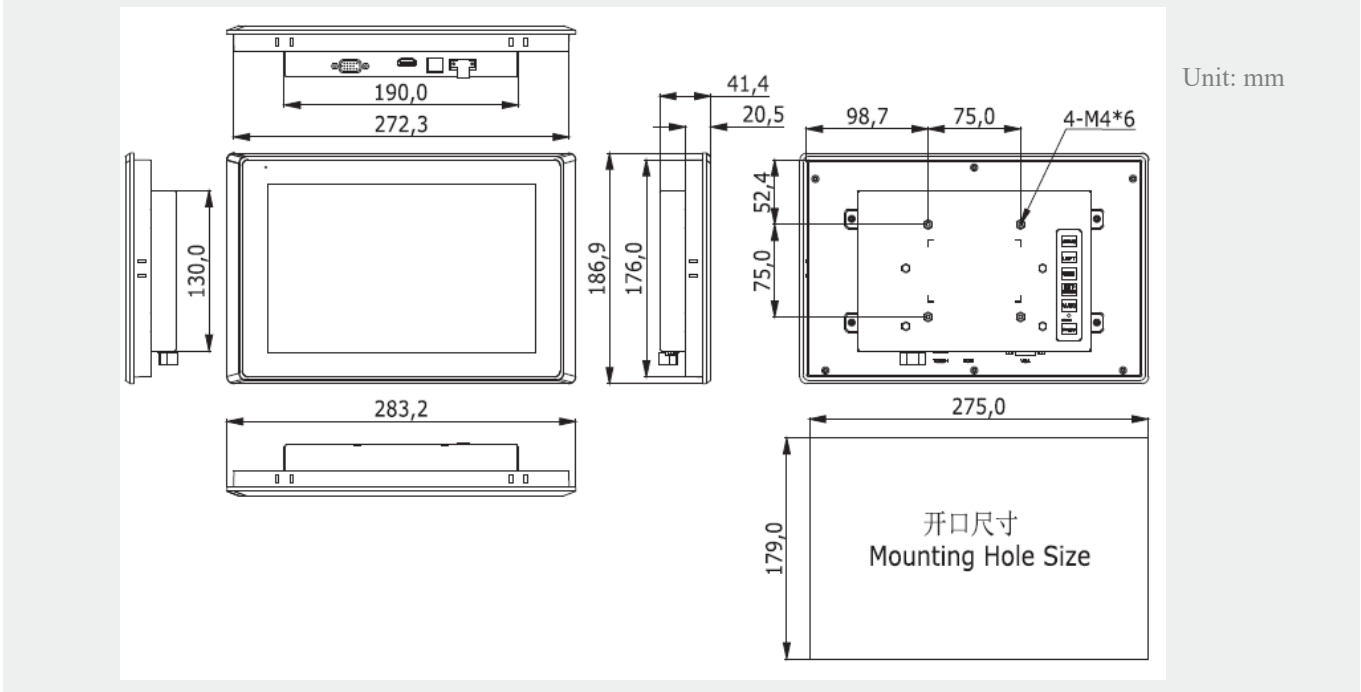
- 10.1" TFT LCD display with a resolution of 1280×800
- The front panel complies with IP65 protection rating, ensuring stability and robustness
- Supports VGA and HDMI interfaces
- Capacitive Touchscreen/ Resistive Touchscreen
- 9~28V power input
- Supports panel mount, wall mount, desktop mount or VESA arm mount installation

Product Parameters

LCD Screen	screen type	10.1" TFT-LCD
	resolution	1280 x 800
	viewing angle (CR>=10)	85/85/85/85
	maximum color	16.7M
	luminance	430 cd/m ²
	contrast ratio	800:1
	backlight type	LED
	backlight lifespan	34000h
Touch Screen	touch type	5-Wire Resistive Touchscreen/ 10-Point Capacitive Touchscreen
	interface type	USB2.0
	transmittance	>85%
	surface hardness	Mohs 7H
Overview	display interface	VGA, HDMI
	size	283.2 x 186.9 x 41.4 mm

Product Parameters		
System	OS	-
Environmental parameters	operating temperature	-20°C~70°C
	storage temperature	-30°C~70°C
	storage humidity	10 ~ 90% @ 30°C (non-condensing)
	vibration resistance	5~500 Hz, 1Grms (operating, random)
	protection level	The front panel has an IP65 rating

HP11X-AC101



Interface Description

