

HP11X-AC7



FEATURES

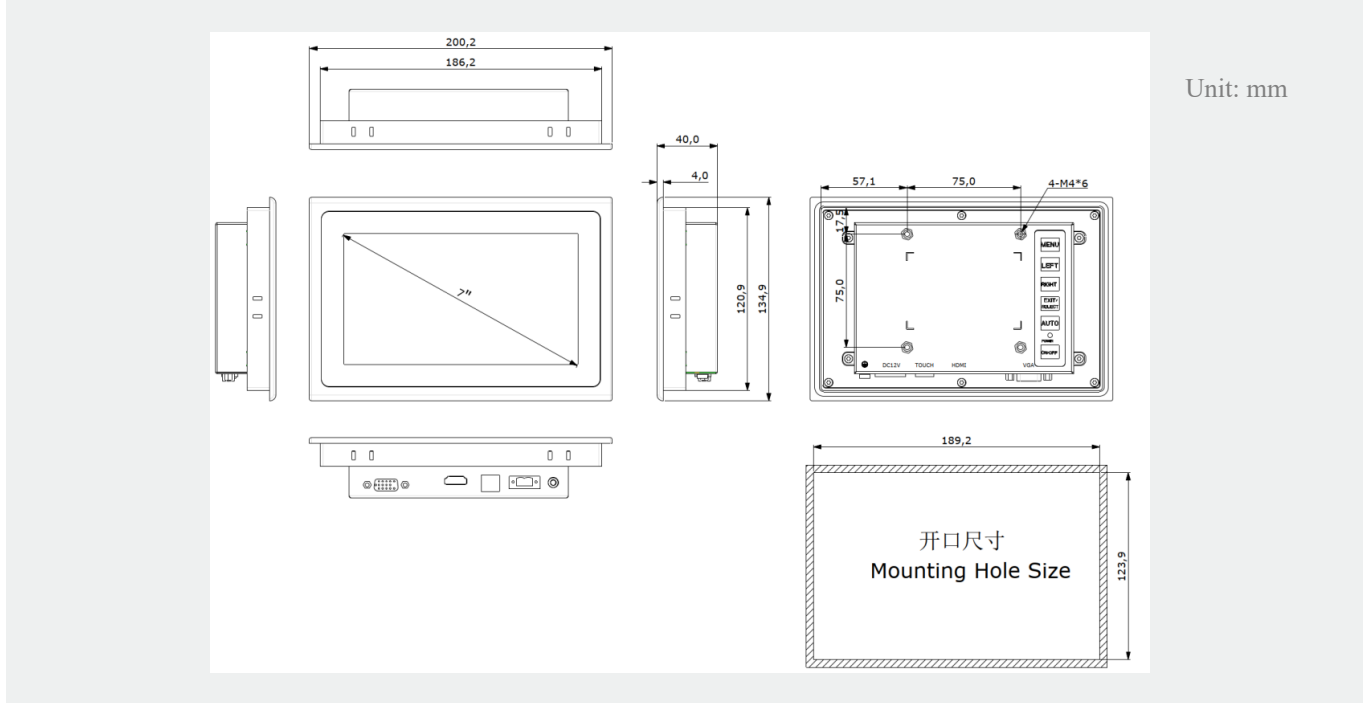
- 7" TFT LCD display with a resolution of 1024 x 600
- The front panel complies with IP65 protection rating, ensuring stability and robustness
- Supports VGA and HDMI interfaces
- Capacitive Touchscreen
- 9~28V power input
- Supports panel mount, wall mount, desktop mount or VESA arm mount installation

Product Parameters

LCD Screen	screen type	7" TFT-LCD
	resolution	800 x 480
	viewing angle (CR>=10)	-70~70° (H),-50~70° (V)
	maximum color	16.2M
	luminance	350 cd/m2
	contrast ratio	500:1
	backlight type	TFT-LCD
	backlight lifespan	35,000h
Touch Screen	touch type	10-Point Capacitive Touchscreen
	interface type	USB2.0
	transmittance	>85%
	surface hardness	Mohs 7H
Overview	display interface	VGA, HDMI
	size	200.2 x 134.9 x 40.0 mm

Product Parameters		
System	OS	-
Environmental parameters	operating temperature	0°C~60°C
	storage temperature	-20°C~70°C
	storage humidity	10 ~ 90% @ 30°C (non-condensing)
	vibration resistance	5~500 Hz, 1Grms (operating, random)
	protection level	The front panel has an IP65 rating

HP11X-AC7



Interface Description

