

## HC6124

## FEATURES

- Intel® 6th/7th/8th/9th Gen Processors with LGA1151
- Support for 2 independent displays via Dual DP and one VGA ports with resolution up to 4K UHD
- 2 x DDR4 SO-DIMM sockets support up to 32 GB memory
- 1 x PCIe Gen3 x16 slot, 1 x PCIe Gen2 x2 slot, 2 x PCI slots
- 6 x Gigabit LAN (5 x Intel i210, 1 x Intel i219-LM)
- 8 x USB ports and 1 x internal USB 2.0 Type-A connector
- 2 x RS485/232, 2 x RS232
- Compact and Rugged design

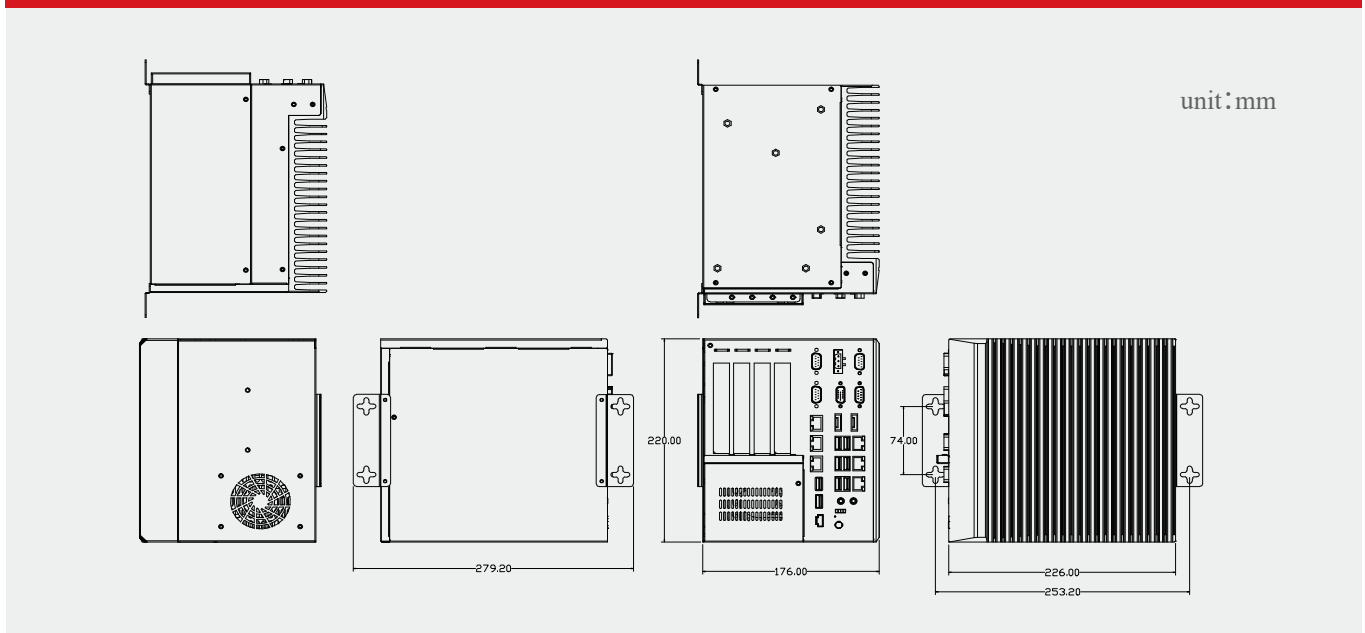


### Product Parameters

| Product Parameters |          |  |
|--------------------|----------|--|
| System parameters  | CPU      | Intel® Core™ I5-6400/I5-8400/I5-9400/I7-6700/I7-8700/I7-9700   |
|                    | chipset  | H110   |
|                    | BIOS     | AMI 64Mbit UEFI  |
|                    | memory   | 2x SODIMM DDR4, MAX 32GB   |
|                    | storage  | 1x M.2 M-Key 2280, SATA 3.0; 3x SATA   |
| External I/O       | display  | 2x DP, MAX 4096 x 2304@60Hz;<br>1x VGA, MAX 1920 x 1080@60Hz;<br>DP+DP/DP+VGA Independent dual display |
|                    | Ethernet | 1x LAN, Intel® I219LM Support Wake-on-LAN;<br>5x LAN, Intel® I210AT                                    |
|                    | COM      | 2x RS-232; 2x RS-485   |
|                    | USB      | 4x USB3.0; 4x USB2.0   |
|                    | Audio    | 1x Line-out, 1x Mic-in, Realtek ALC662   |
| Other              | REMOTE   | 4-pin connector supporting remote switching and indicator lights                                       |
|                    | RESET    | Support BIOS reset by long-pressing the button during shutdown   |

| Product Parameters       |                       |  |
|--------------------------|-----------------------|--|
| Internal Expansion       | USB                   | 1xUSB2.0, Type-A                               |
|                          | miniPCIe              | 1x miniPCIe, support WLAN/WWAN                 |
|                          | SIM                   | 1x USIM, support 3G/4G                         |
|                          | PCIe                  | 1x PCIe 16x (3.0) ; 1x PCIe 4x (2.0, x2signal) |
|                          | PCI                   | 2 x PCI  |
| System                   | OS                    | Windows 10 IoT LTSC、Linux                      |
| Power supply             | input voltage         | 24V DC IN, 3PIN Phoenix                        |
|                          | power                 | MAX 120W                                       |
| Mechanical parameters    | installation          | wall-mounted installation                      |
|                          | dimensions            | 220x226x176mm                                  |
|                          | net weight            | 4.0kg  |
| Environmental parameters | operating temperature | 0~60°C, with an airflow of 0.7 m/s             |
|                          | storage temperature   | -40°C ~85°C, 60°C @ 95% (non-condensing)       |
|                          | relative humidity     | 10 ~ 95% @ 40°C(non-condensing)                |
|                          | EMC                   | CE、FCC Class B                                 |

## HC6124



## Ordering information

| Model        | CPU     | MEM             | SSD*0 0+          | UUD*407\$+ | Expansion Module |
|--------------|---------|-----------------|-------------------|------------|------------------|
| HC6124-C6XXX | i5-6400 |                 | 128G/256G/512G/1T | 734I BV4V  | WIFI/4G          |
| HC6124-C8XXX | i5-8400 | 8G              | 128G/256G/512G/1T | 734I BV4V  | WIFI/4G          |
| HC6124-C9XXX | i5-9400 | /16G<br>/32G    | 128G/256G/512G/1T | 734I BV4V  | WIFI/4G          |
| HC6124-M6XXX | i7-6700 | /8G*2<br>/16G*2 | 128G/256G/512G/1T | 512G/1T/2T | WIFI/4G          |
| HC6124-M9XXX | i7-9700 |                 | 128G/256G/512G/1T | 512G/1T/2T | WIFI/4G          |

\*XXX represents MEM of 2<sup>X</sup>, SSD capacity of 2<sup>X</sup>, and HDD capacity of XT in sequence.

\*The packing list of this series of products includes: 1\*HC6110 high-performance embedded industrial computer, 1\*ear hanging kit, and 1\*power Phoenix terminal.