

HC6100

FEATURES

- Intel® 6th/7th/8th/9th Gen Processors with LGA1151
- Support for 2 independent displays via dual DP and one VGA port with resolution pu to 4K UHD
- 2 x DDR4 SO-DIMM sockets support up to 32GB memory
- 3 x Gigabit LAN(2 x Intel i210-AT and 1 x Intel i219-LM)
- 1 x RS-485, 1 x RS-232
- Compact and fanless design

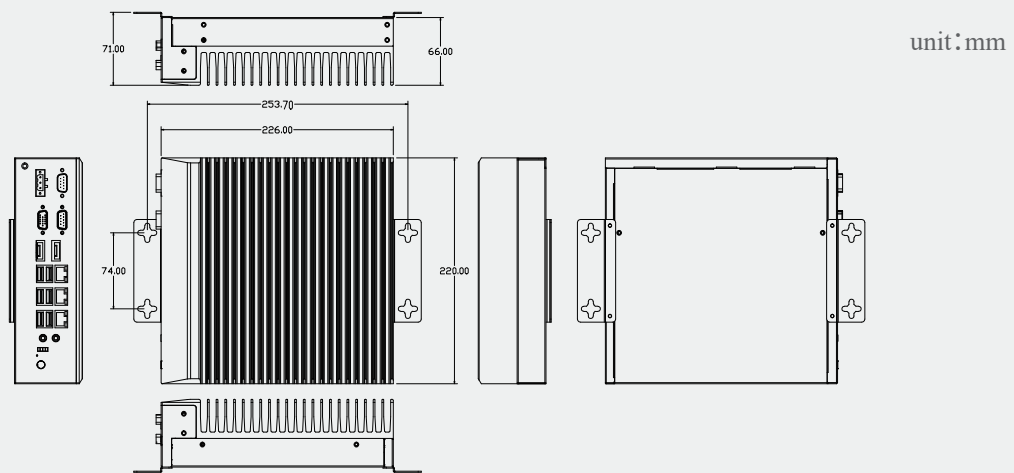


Product Parameters

System parameters	CPU	Intel® Core™ I5-6400/I5-8400/I5-9400/I7-6700/I7-8700/I7-9700
	chipset	H110
	BIOS	AMI 64Mbit UEFI
	memory	2x SODIMM DDR4, MAX 32GB
	storage	1x M.2 M-Key 2280, SATA 3.0; 1 x SATA, support 2.5"SSD/HDD
External I/O	display	2x DP, MAX 4096 x 2304@60Hz; 1x VGA, MAX 1920 x 1080@60Hz; DP+DP/DP+VGA Dual Dedicated Graphics
	Ethernet	1x LAN, Intel® I219LM 2x LAN, Intel® I210AT
	COM	1x RS-232; 1x RS-485
	USB	4x USB3.0; 2x USB2.0
	Audio	1x Line-out, 1x Mic-in, Realtek ALC662
Other	REMOTE	-
	RESET	Support resetting BIOS by long-pressing during shutdown

Product Parameters		
Internal Expansion	USB	-
	miniPCIe	1x miniPCIe, support WLAN/WWAN
	SIM	1x USIM, support 3G/4G
	PCIe	-
	PCI	-
System	OS	Windows 10 IoT LTSC、Linux
Power supply	input voltage	24V DC IN, 3PIN Phoenix
	power consumption	MAX 120W
Mechanical parameters	installation	wall-mounted installation
	dimensions	220x226x66mm
	net weight	3.0kg
Environmental parameters	operating temperature	0~60°C, with an airflow of 0.7 m/s
	storage temperature	-40°C ~85°C, 60°C @ 95% (non-condensing)
	relative humidity	10 ~ 95% @ 40°C(non-condensing)
	EMC	CE、FCC Class B

HC6100



Ordering information

Model	CPU	MEM	SSD(M.2)	SSD(2.5")	Expansion Module
HC6100-C6XXX	i5-6400	8G	128G/256G/512G/1T	512G/1T/2T	WIFI/4G
HC6100-C8XXX	i5-8400	/16G /32G	128G/256G/512G/1T	512G/1T/2T	WIFI/4G
HC6100-M6XXX	i7-6700	/8G*2 /16G*2	128G/256G/512G/1T	512G/1T/2T	WIFI/4G
HC6100-M9XXX	i7-9700		128G/256G/512G/1T	512G/1T/2T	WIFI/4G

*XXX represents MEM of 2^X, SSD capacity of 2^X, and HDD capacity of XT in sequence.

*The packing list of this series of products includes: 1*HC6100 high-performance embedded industrial computer, 1*ear hanging kit, and 1*power Phoenix terminal.